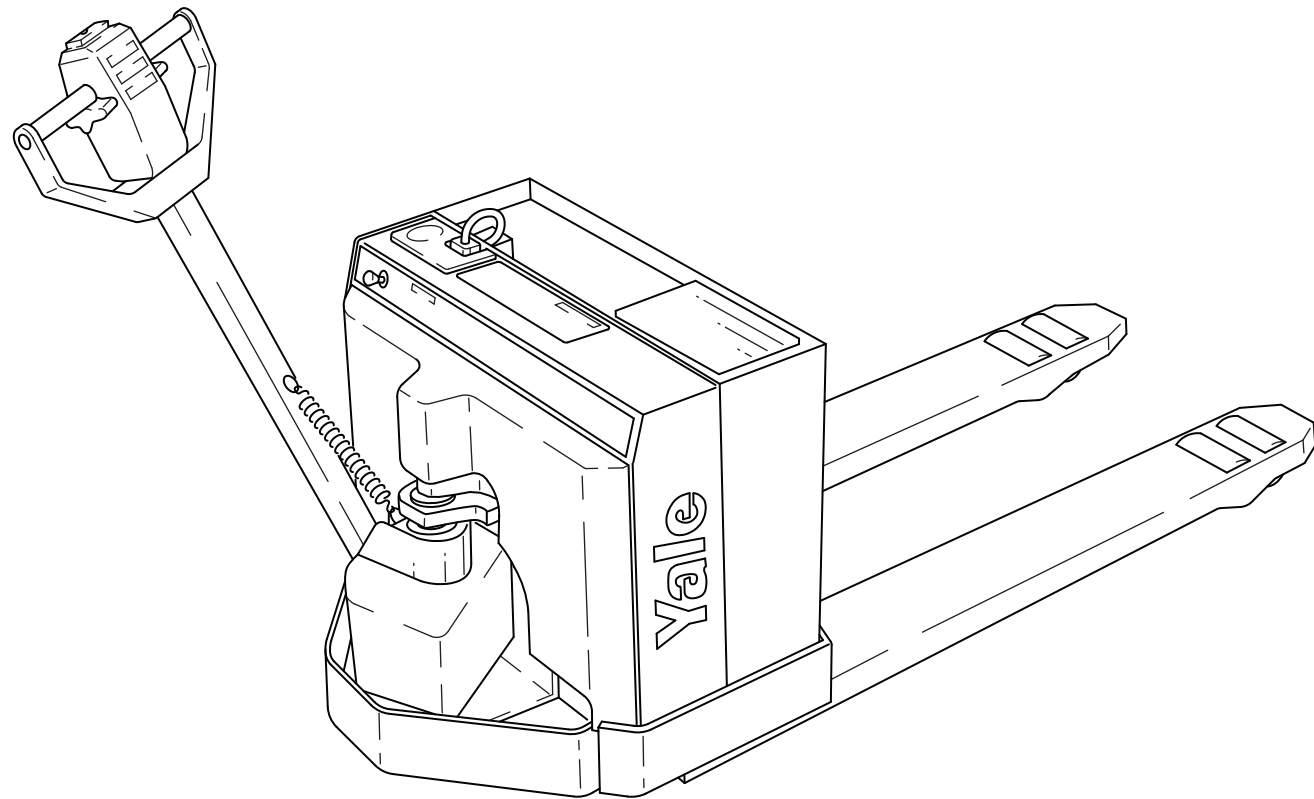


Replacement Parts for Yale MP/MPB 040 AC

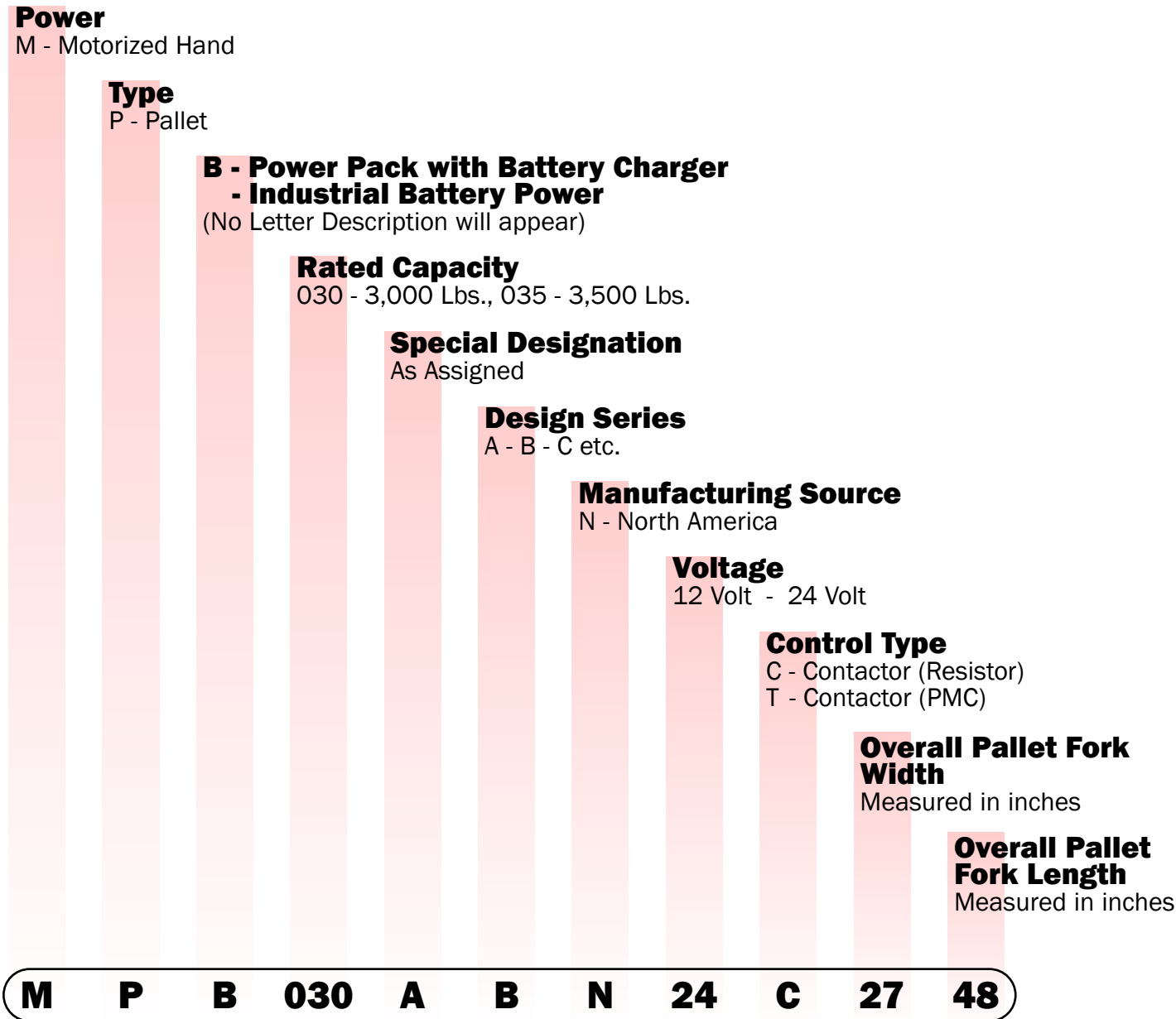


800-462-2370
Fax 800-366-5939
www.SuperStoresService.com



Model Nomenclature

Content



<u>Quick Wheel Lookup</u>	4
<u>Electrical/Battery</u>	6
<u>Control Panel - Resistor</u>	8
<u>Control Panel - PMC</u>	10
<u>Drive Unit and Brake Assembly</u>	12
<u>Motors</u>	14
<u>Handle Assembly - PMC</u>	16
<u>Hydraulic</u>	18
<u>Frame & Undercarriage</u>	20

This booklet is not intended to replace the original manufacturer's Parts and Service Manual. Please follow Safety Procedures outlined in the manufacturer's publication.

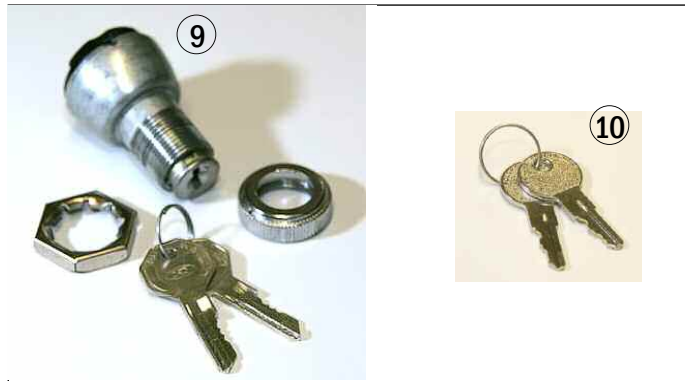
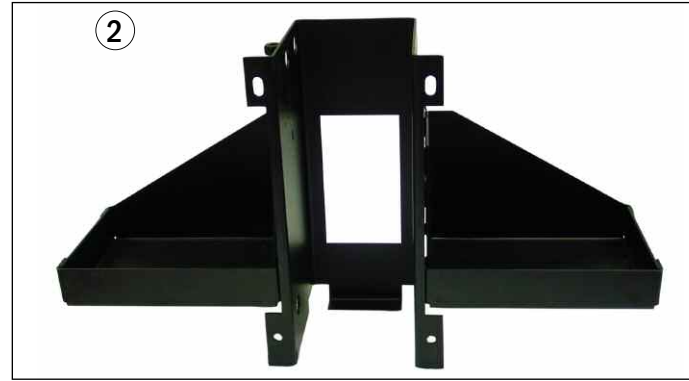
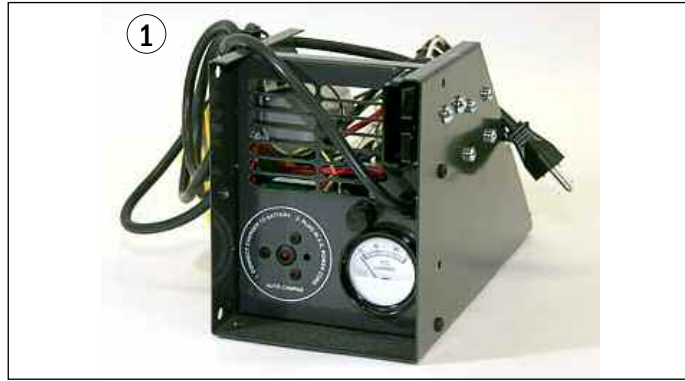


Quick Wheel Lookup

Quick Wheel Lookup

OEM #	Wheel Type	Manuf.	Part #	Description	Wheel OD in/mm	Tread Width in/mm	Hub Width in/mm	Hub ID in/mm	Bearing OD in/mm	Bearing #	Material/ Color
YL 065269600	Load Wheel	Generic	GW 820	Poly Load Wheel-Single	3.250/83	4.500/114	4.500/114		1.574/40	6203z	Scotch, 95-A
YL 501776904	Drive Tire		SU 9x5x5-SF-P	Poly Drive Tire-Smooth Flat	9.00/229	5.00/127		5.00/127			
YL 517580811	Drive Tire		SU 9x5x5-SF-R	Rubber Drive Tire- Smooth Flat	9.00/229	5.00/127		5.00/127			Black
YL 501087300	Hub		YL 501087300	Drive Wheel Hub							

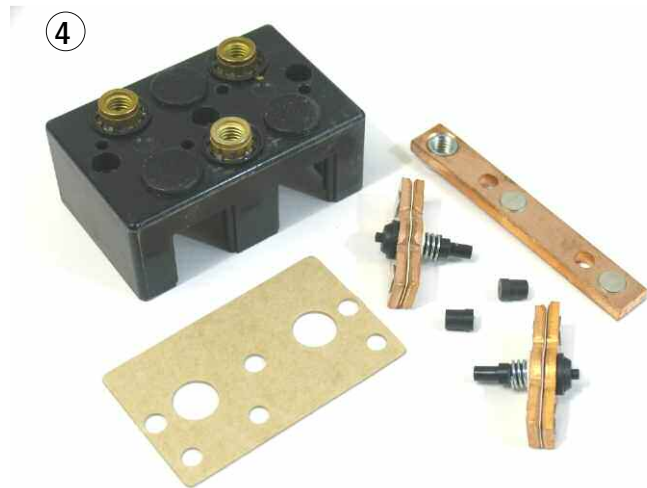
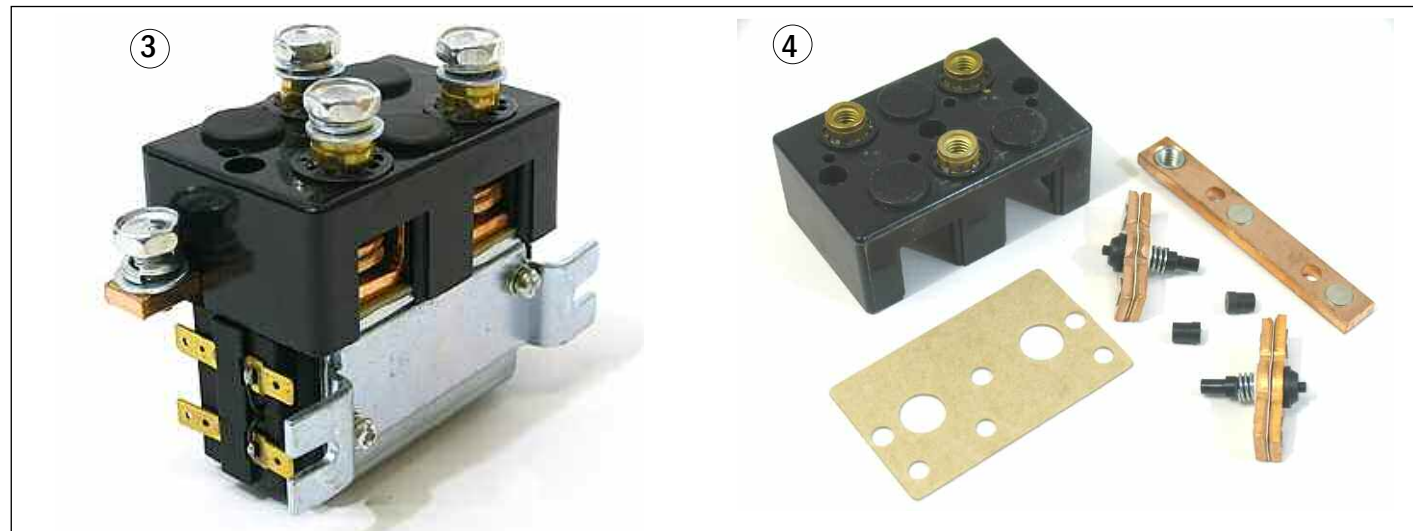
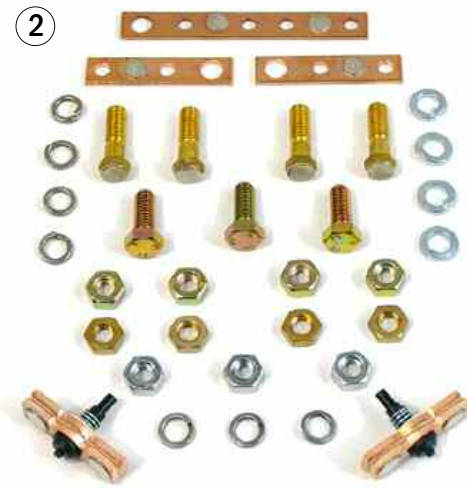
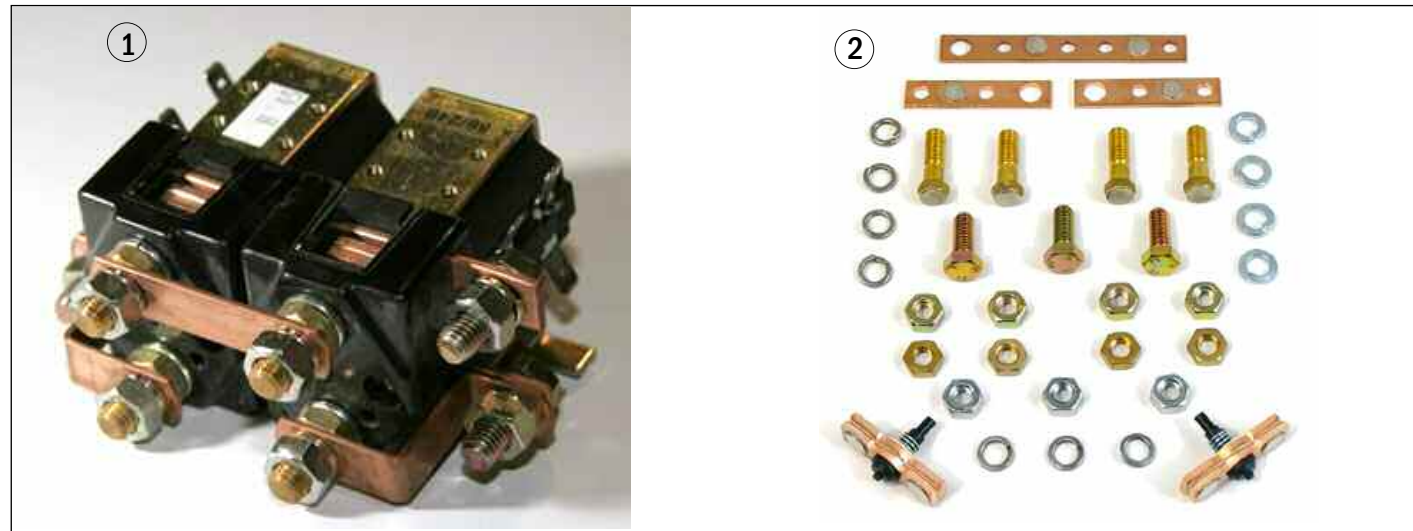
Electrical/Battery



Electrical/Battery

Item	Part No.	Description
1	YL 518128600	Battery charger, 15A, 120 AC
2	YL 518739600	Pivoting battery tray
3	YL 723291300	Gray connector, 175A w/contacts
4	YL 516490806	Contacts, set of (2), 175A
5	YL 503954200	Battery disconnect handle, w/screws and nuts
6	YL 503389201	Hour meter
7	YL 751032302	Battery discharge indicator
8	YL 752060402	Unigauge, both BDI and Hour meter
9	YL 500863104	Ignition switch, w/2 keys
10	YL 500863106	Keys (2)
11	YL 751682402	Horn
12	YL 721528104	Battery cover knob
13	YL 503918700	Wiring harness, drive unit to control handle

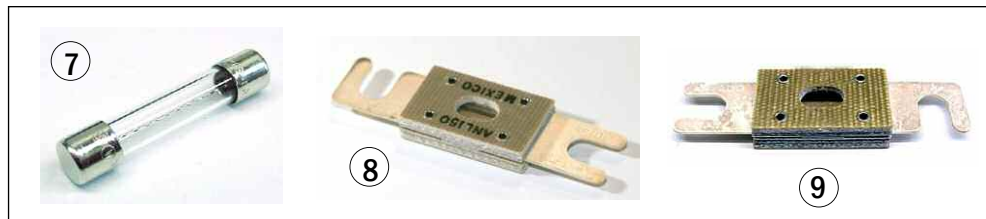
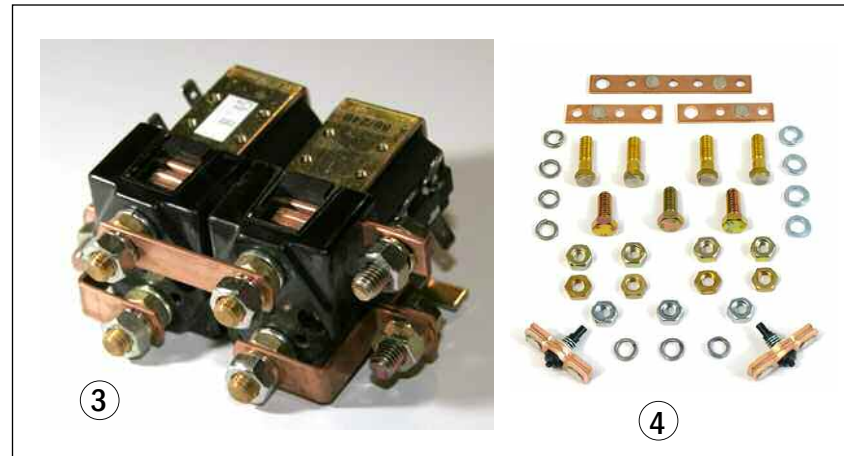
Control Panel - Resistor



Control Panel - Resistor

Item	Part No.	Description	Application
1	YL 505175504	Contactora, F/R	to S/N A827N13548U
2	YL 150091008	Contactora service kit (YL 505175504)	
3	YL 519832602	Contactora, F/R	from S/N A827N13549U
4	ALDC88-SKR	Contactora service kit (YL 519832602)	
5	YL 512720800	Fuse, 10A	

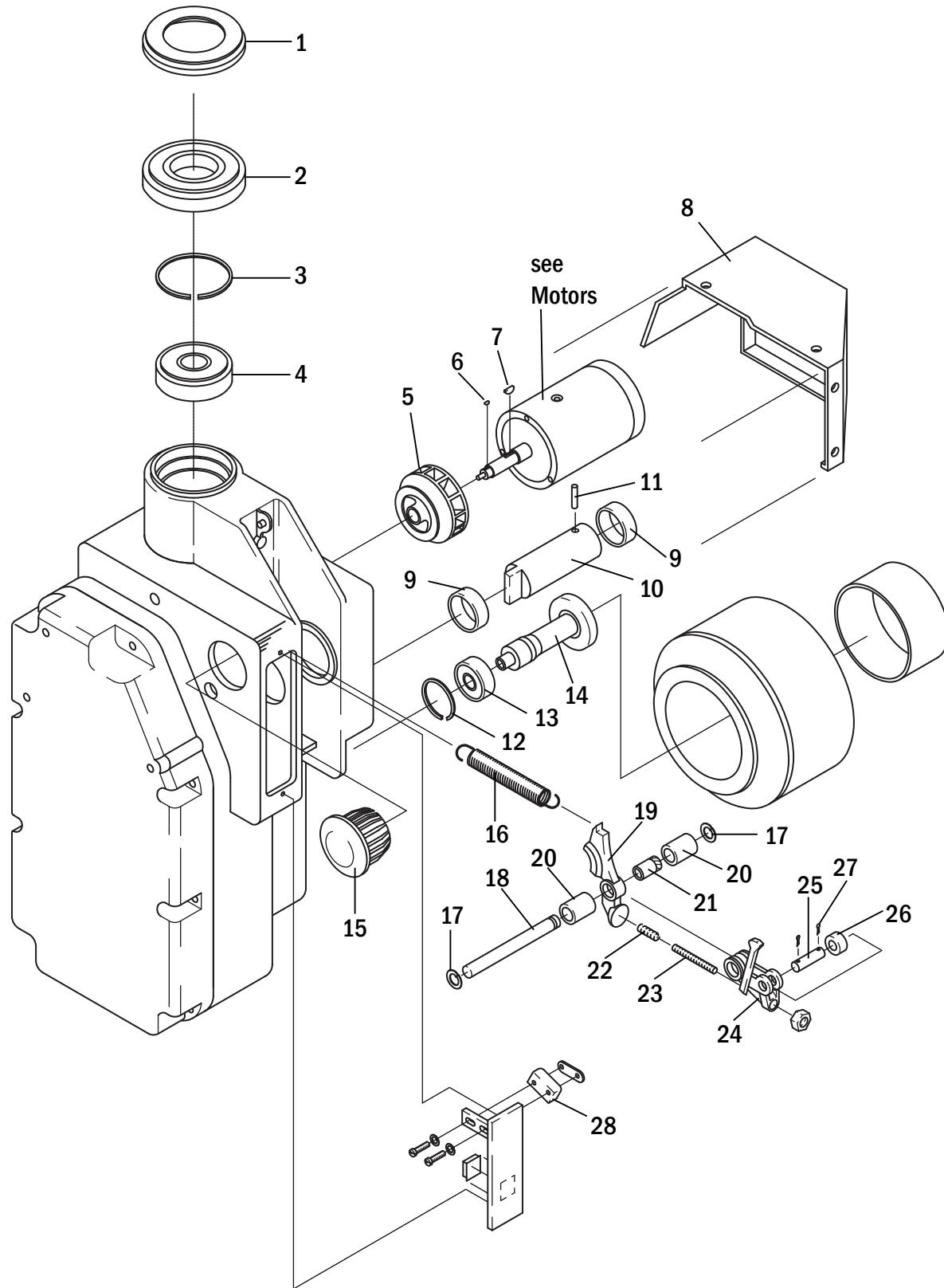
Control Panel - PMC



Control Panel - PMC

Item	Part No.	Description	Application
1	YL 518361601-R	PMC motor controller, 24V	Re-manufactured
2	YL 518361601-C	Core deposit	
3	YL 505175502	Contactor, F/R	to S/N A827N14629U
4	YL 150091008	Contactor service kit (YL505175502)	
5	YL 519832607	Contactor, F/R	from S/N A827N14630U
6	YL 150091008	Contactor service kit (YL 505175502 & YL 519832607)	
7	YL 500903103	Fuse, 15A	
8	YL 504450730	Fuse, 150A	
9	YL 504450749	Fuse, 200A	

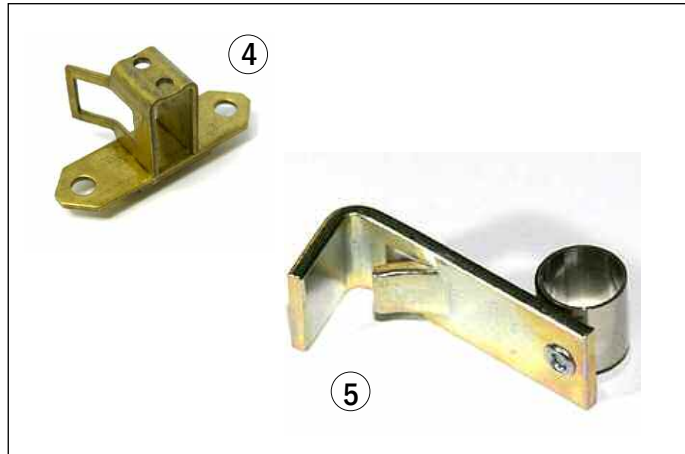
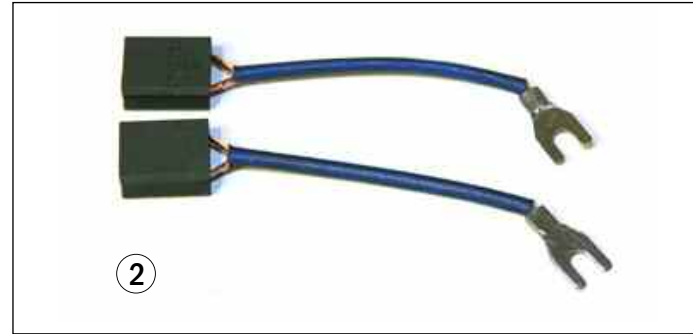
Drive Unit and Brake Assembly



Drive Unit and Brake Assembly

Item	Part No.	Description	Application
1	YL 502225100	Bearing cover	
1	YL 640846813	Bearing cover - cold storage	
2	YL 054590500	Bearing cup	
2	YL 065124700	Bearing cone	
3	YL 640046921	Snap ring	
4	YL 500210904	Bearing cup	
4	YL 500209906	Bearing cone	
5	YL 510092300	Brake drum	
6	YL 502389911	Woodruff key	
7	YL 016247100	Woodruff key	
8	YL 503753700	Drive motor cover	
9	YL 500046908	Bushing	
10	YL 505984500	Shaft	
11	YL 500067903	Roll pin	
12	YL 640046911	Snap ring	
13	YL 055076400	Bearing cup	
	YL 060235200	Bearing cone	
14	YL 640846878	Drive axle	
15	YL 501864902	Plug	
16	YL 502203100	Brake spring	
	YL 640846816	Brake spring	Cold storage
17	YL 015914400	Retaining ring	
18	YL 723683100	Pivot pin	
19	YL 501094300	Brake shoe	
20	YL 502234100	Bushing	
21	YL 723673100	Bushing	
22	YL 502315100	Spring	
23	YL 311104176	Set Screw	
24	YL 505354500	Brake cam lever	
25	YL 504339200	Pin	
26	YL 751918302	Roller bearing	
27	YL 015414700	Cotter pin	
28	YL 503781200	Switch	

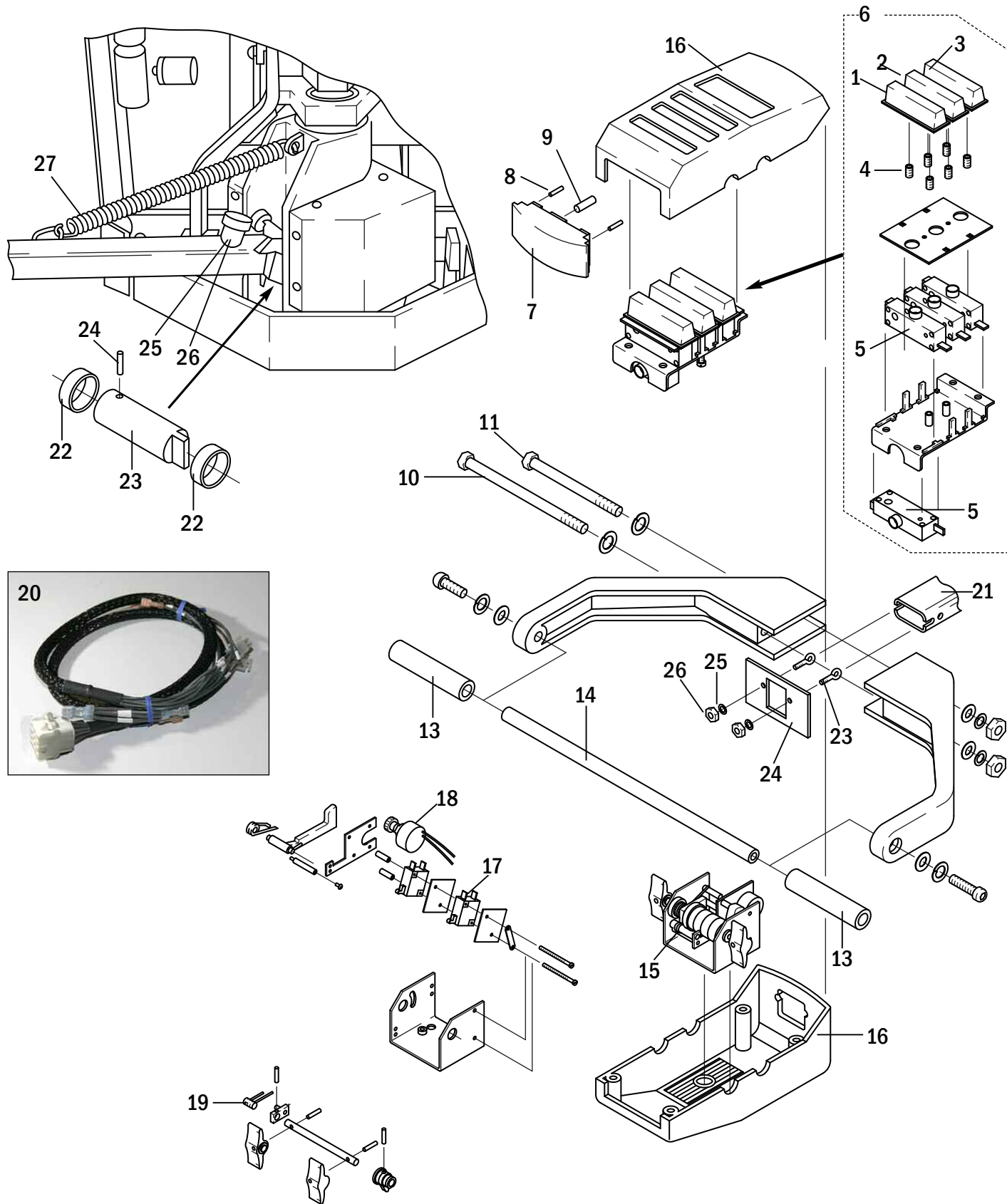
Motors



Motors

Item	Part No.	Description	Application
1	YL 730024021-AM	Drive motor	S/N 530406 and later
2	YL 519466009	Brush set (2 per bag), Original drive motor	
3	YL 519466009-AM	Brush set, 4 per bag, After-market drive motor	
4	YL 730008200	Brush holder, OEM drive motor	
5	YL 519467004	Brush spring set, OEM drive motor	
6	YL 580012669-AM	Hydraulic pump motor, After-market	

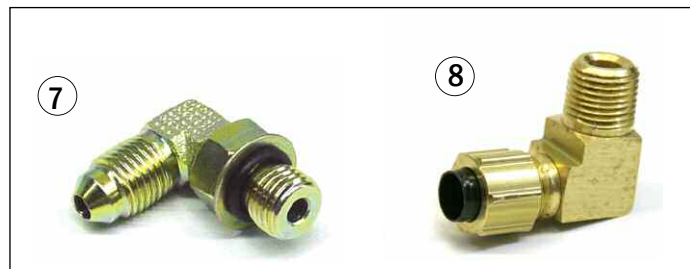
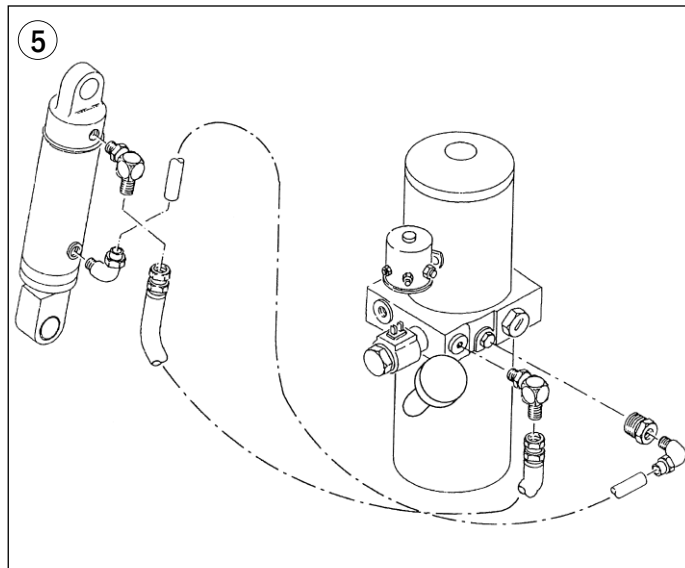
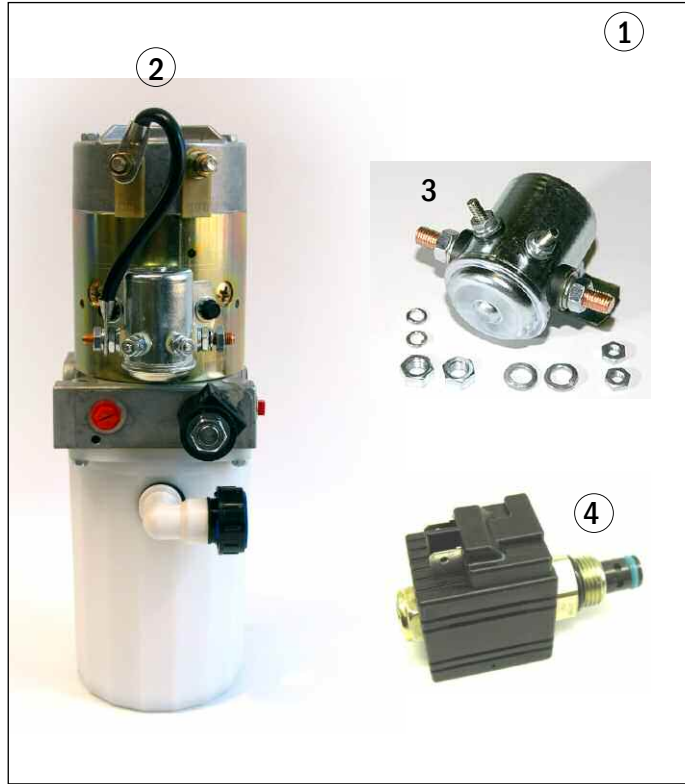
Handle Assembly - PMC



Handle Assembly - PMC

Item	Part No.	Description
1	YL 505712501	Lift button
2	YL 505713500	Horn button
3	YL 505712502	Lower button
4	YL 501067207	Spring
5	YL 519296800	Switch, Lift, Lower, Horn, Belly
6	YL 505346500	Top cover assembly, Incl. switches
7	YL 505487500	Switch actuator, Auto reverse
8	YL 501067205	Spring, Belly button cover
9	YL 503956200	Rubber stopper
10	YL 500026913	Hex screw, 5/16" - 18" x 7 1/2" Lg.
11	YL 500026912	Hex screw, 5/16" - 18" x 5 1/4" Lg.
12	YL 504981702	Handle arm
13	YL 519305803	Grip
14	YL 503766200	Shaft
15	YL 507118500	Switch assembly
16	YL 518217600	Handle head set, Upper and lower
17	YL 503781200	Micro switch
18	YL 507078500	Potentiometer
19	YL 519906800	Torsion spring
20	YL 580002386	Handle wiring harness assembly
21	YL 503771700	Steer arm weldment
22	YL 500046908	Steer arm bushing
23	YL 505984500	Steer arm pin
24	YL 500067903	Roll pin
25	YL 110609100	Rubber bumper
26	YL 501753901	Screw for rubber bumper
27	YL 501890100	Steer arm return spring

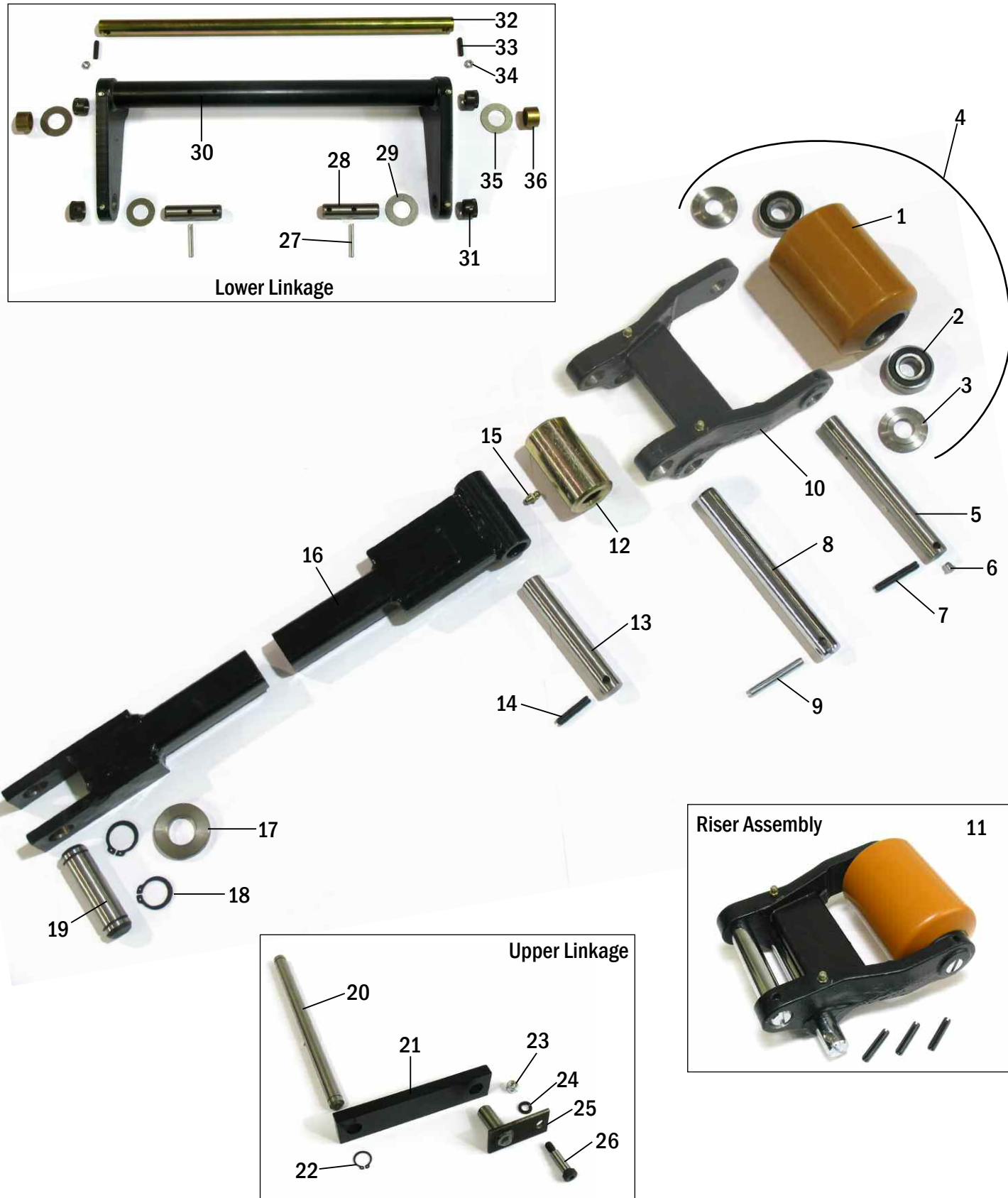
Hydraulic



Hydraulic

Item	Part No.	Description	Application
1	YL 518140607	Hydraulic Pump and motor unit	
2		see motor section	
3	YL 518818835	Lift solenoid, 24V	
4	YL 517161602	Solenoid valve, 24V	
5	YL 503856400	Lift cylinder	
6	YL 505163001	Packing kit	
7	YL 056363100	Fitting	
8	YL 504114800	Fitting	
9	YL 501710910	Hose	
10	YL 310913284	Tube	

Frame and Undercarriage



Frame and Undercarriage

Item	Part No.	Description	Application
1	YL 065269600	Poly load wheel, 95-A	
2	YL 064948400	Bearing	
3	YL 065055200	Washer	
4	YL 065269600-A	Poly load wheel assembly, w/bearings & washers, 95-A	
5	YL 640374100	Load wheel axle, w/lube fitting	
6	YL 507167800	Lube fitting	
7	YL 023025000	Roll pin, Load wheel axle	
8	YL 504734200	Pivot pin	
9	YL 055929200	Roll pin	
10	YL 643182400	Riser assembly, w/lube fitting	
11	YL 643182400-A	Riser assembly, w/load wheel & axle	
12	YL 751791300	Steel roller assembly, w/bearings	
13	YL 064857200	Link pin	
14	YL 055929200	Roll pin	
15	YL 015631500	Lube fitting	
16	YL 502447503	Push rod, 48" forks	
17	YL 751776300	Spacer	
18	YL 500227905	Retaining ring	
19	YL 641786101	Pin, push rod	
20	YL 502303101	Pin	
21	YL 500989200	Link	
22	YL 15918200	Retaining ring	
23	YL 14936600	Hex washer	
24	YL 15026200	Lockwasher	
25	YL 640697303	Pin	
26	YL 62143700	Hex bolt	
27	YL 023024200	Roll pin	
28	YL 503688200	Pin	
29	YL 502423914	Shim	
30	YL 518353601	Bellcrank, 27" wide fork	
31	YL 640434100	Bushing	
32	YL 518360601	Bellcrank pin, 27" wide fork	
33	YL 014805000	Set screw	
34	YL 014970800	Nut	
35	YL 016117600	Shim	
36	YL 723660100	Bushing	



800-462-2370
Fax 800-366-5939
www.SuperStoresService.com

Yale MP/MPB 040 AC

Yale MP/MPB 040 AC

800-462-2370
Fax 800-366-5939
www.SuperStoresService.com





800-462-2370

Fax 800-366-5939

www.SuperStoresService.com